

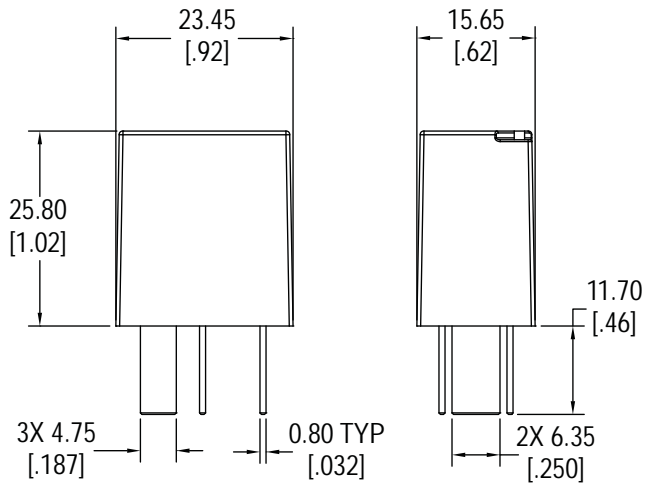
A1

Ordering Information

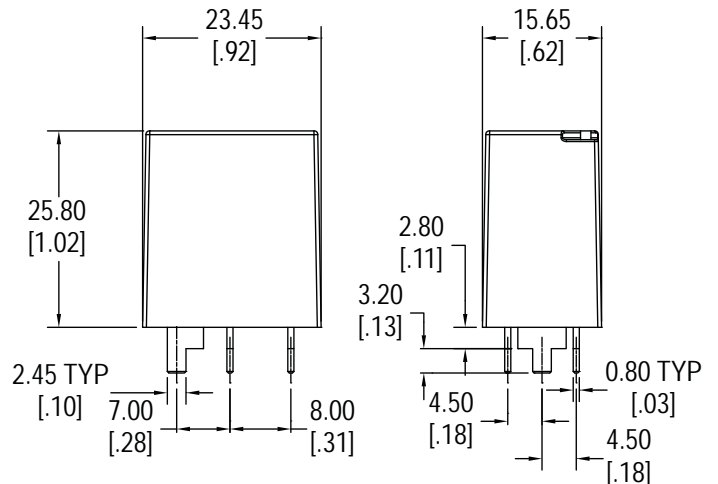
1. Series	A1	1A	S	Q	12VDC	1.2
2. Contact Arrangement	1A = SPST N.O. 1C = SPDT					
3. Sealing Option	S = Sealed					
4. Termination	P = PCB Pins Q = Quick Connect					
5. Coil Voltage	6VDC 12VDC 24VDC 48VDC					
6. Coil Power	1.2 = 1.2W 1.5 = 1.5W					
7. Coil Suppression	Blank = Standard D = Diode (1N4005) R = Resistor (680 ohms) ** Consult factory if other values are needed					

Dimensions

Units = mm



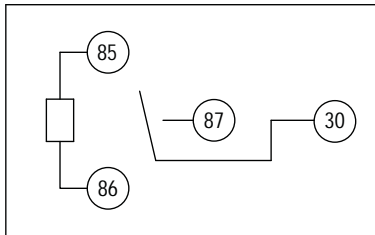
Quick Connect



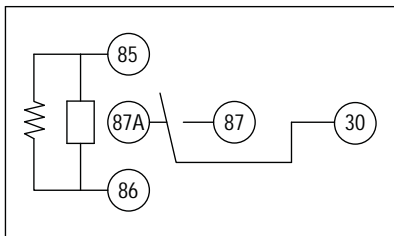
PC Pin

Schematics & PC Layout

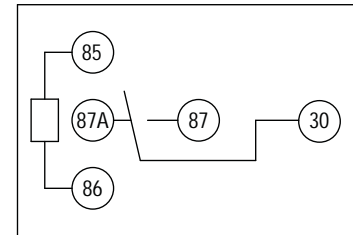
Bottom Views



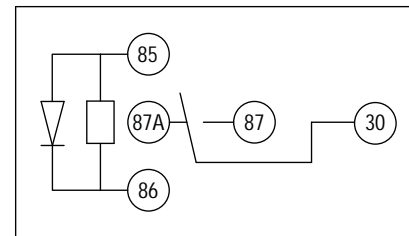
1A



1C with Resistor



1C



1C with Diode

